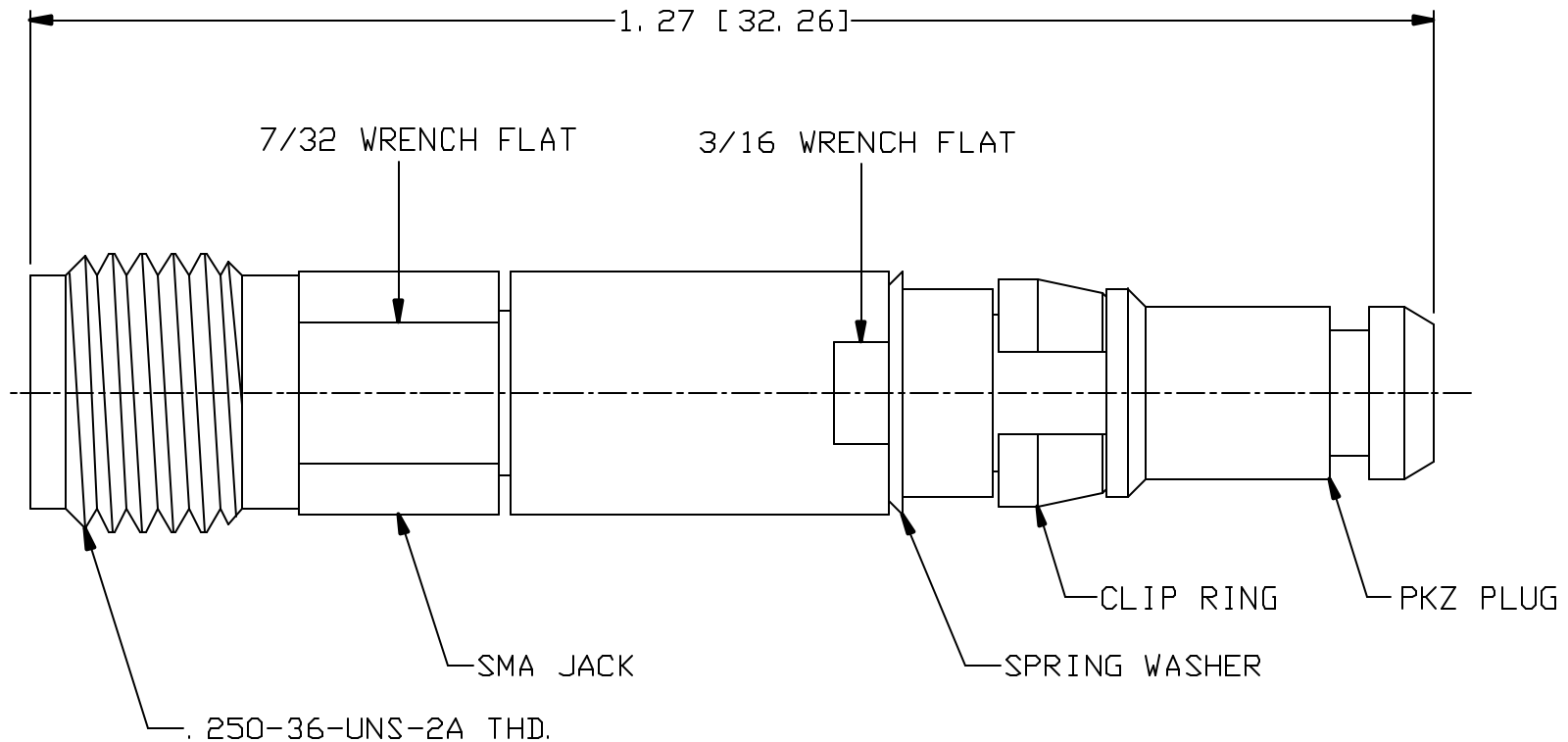


CAD DRAWING - NO MANUAL REVISIONS



NOTE:

1. FOR USE TO 2 GHZ MAX.
2. DESIGN AND INTERFACE PER I. D. S. 26 & 20.

M	PER ECN 10661	10/25/10	JEM	PALCO CONNECTOR 22 GREAT HILL RD., NAUGATUCK, CT 06770 UNLESS OTHERWISE SPECIFIED, PALCO WORKMANSHIP STANDARDS APPLY TOLERANCES ON: DECIMALS: XX ± .01 .XXX ± .005 ANGLES ± 1/2° 32' DIMENSIONS IN INCHES OR (METRIC) DO NOT SCALE PRINTS	DRAWN MY	CHECKED HN	ENGINEER EW	APPROVED HN	FSCM 58167
L	PER ECN 10588	09/01/10	JEM		⌀	DESCRIPTION SMA, PKZ ADAPTOR			
K	PER ECN 10381	05/19/10	JEM			DATE 06/01/90	DRAWING NO. 2620-0100-00	PLATING OPT. G	
H	PER ECN 10235	03/16/10	JEM						
G	PER ECN 9489	08/20/08	JEM						
REV.	DESCRIPTION	DATE	APPR.			CATALOG ITEM			

INTERFACE DESIGN STANDARD		PALEO CONNECTOR	REV	DESCRIPTION	DATE	APPR
IDS-26			D	PER ECN 6752	10/24/02	HN
PAGE 1 OF 2	DATE: 02/28/94		E	PER ECN 7265	01/27/04	HN
DRAWN: JEM	APPROVED: HN	22 GREAT HILL ROAD, NAUGATUCK, CT. 06770 PHONE: (203) 729-9090 FAX: (203) 723-1794	F	PER ECN 9935	05/22/09	JEM
			G	PER ECN 10145	01/20/10	JEM

DESCRIPTION: 26 SERIES, SIZE 8 PkZ®

MECHANICAL

MATERIALS

BODIES:

PLUG BODIES - BRASS PER ASTM B 16.
RECEPTACLE BODIES - BRASS PER ASTM B 16.

PLATING:

GOLD PER MIL-G-45204.
COPPER PER MIL-C-14550.
NICKEL PER QQ-N-290.

INSULATORS - VIRGIN TEFLON (PTFE) PER ASTM D 1710 AND ASTM D 1457.
RETAINING RING - BERYLLIUM COPPER PER ASTM B 196.
MALE CONTACT - BERYLLIUM COPPER PER ASTM B 197.
FEMALE CONTACTS - BERYLLIUM COPPER PER ASTM B 197.
WEATHER SEAL GASKET (OPTIONAL) -
SILICONE RUBBER PER ZZ-R-765.
EMI GASKET - BERYLLIUM COPPER ASTM B 196.

FINISHES (ADD LETTER TO END OF PART NUMBER)

"A" - .000050 MIN. GOLD OVER NICKEL
"B" - .000030 MIN. GOLD OVER NICKEL
"C" - .000050 MIN. GOLD OVER COPPER
"D" - .000030 MIN. GOLD OVER COPPER

MATING CHARACTERISTICS

OUTER BODIES _____ 3 LBS MAX. INSERTION.
2 OZ. MIN. WITHDRAWAL.
CENTER CONTACTS _____ 32 OZ. MAX. INSERTION.
.5 OZ. MIN. WITHDRAWAL.
HOUSING RETENTION _____ 12 LBS. MIN.
AXIAL MATING TOLERANCE _____ .090

ELECTRICALS

FREQUENCY RANGE: DC TO 32 GHz.
VOLTAGE RATING STRAIGHT: 1000 VRMS.
VOLTAGE RATING ANGLED: 800 VRMS.
CURRENT RATING: 5 AMPS.
INSULATION RESISTANCE: 2000 MEGOHMS MIN.
INSERTION LOSS: .06 $\sqrt{f(\text{GHz})}$ dB

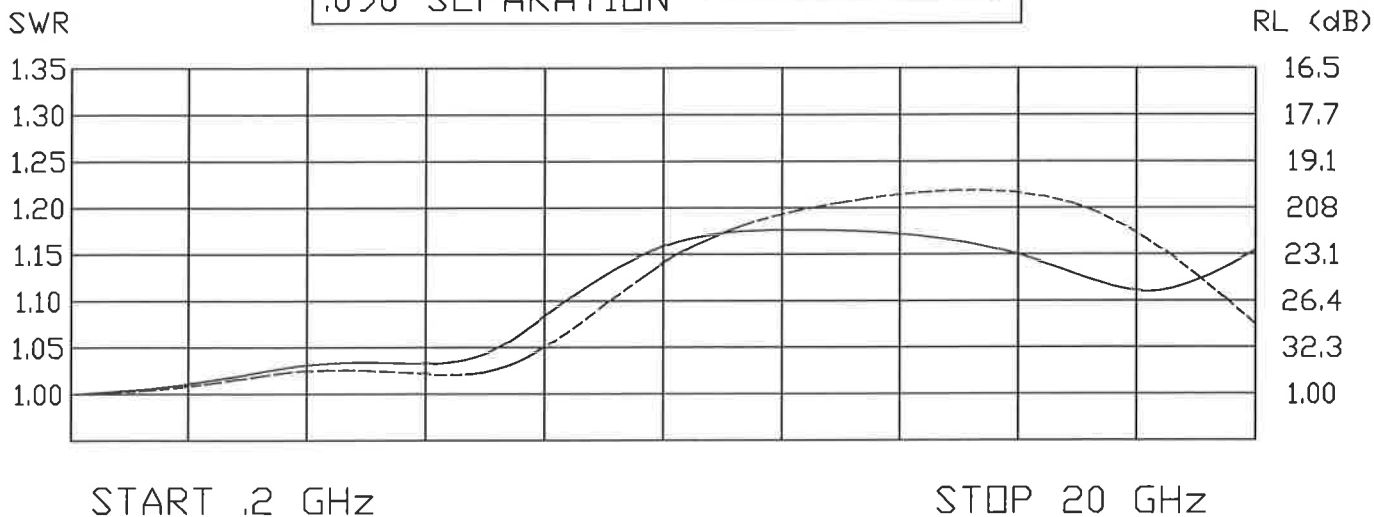
CONTACT RESISTANCE: CENTER CONTACT 5 MILLIOHMS
CONTACT RESISTANCE: OUTER CONTACT 3 MILLIOHMS
VSWR: 1.08 + .009(f) GHz., RG-402 CABLE.
1.15 + .02 (f) GHz., RG-174 & RG-316 CABLES.
1.15 + .01 (f) GHz., RG-142, 223, 303 & 400 CABLES.

ENVIRONMENTAL

OPERATING TEMPERATURE: -65°C to +165°C
VIBRATION: MIL-STD-202, METHOD 204, TEST CONDITION D.
SHOCK: MIL-STD-202, METHOD 213, TEST CONDITION I.
SALT SPRAY: MIL-STD-1344, METHOD 1001, CONDITION B.
DURABILITY: 500 CYCLES.

THERMAL SHOCK: MIL-STD-202, METHOD 107, TEST CONDITION B, EXCEPT HIGH TEMPERATURE SHALL BE +85°C.
MOISTURE RESISTANCE: MIL-STD-202, METHOD 106.
NO MEASUREMENT AT HIGH HUMIDITY. INSULATION RESISTANCE 2000 MEGOHMS AFTER HUMIDITY.

FULL MATING _____
.090 SEPARATION _____



INTERFACE DESIGN STANDARD	
IDS-26	
PAGE 2 OF 2	DATE: 06/28/94
DRAWN: JEM	APPROVED: HN

PALEO
CONNECTOR

22 GREAT HILL ROAD, NAUGATUCK, CT. 06770
PHONE: (203) 729-9090 FAX: (203) 723-1794

REV	DESCRIPTION	DATE	APPR
D	PER ECN 6752	10/24/02	HN
E	PER ECN 7625	01/27/04	HN
F	PER ECN 9935	05/22/09	JEM
G	PER ECN 10145	01/20/10	JEM

DESCRIPTION: 26 SERIES, PKZ[®] SIZE 8

	INCH	[mm]	SUFFIX
A	.250	[6.35]	MIN.
B	ϕ $\frac{.153}{.156}$	$\frac{[3.89]}{[3.96]}$	
C	$\frac{.126}{.132}$	$\frac{[3.20]}{[3.35]}$	MIN.
D	ϕ .206	[5.23]	

PLUG

	INCH	[mm]	SUFFIX
A	.245	[6.22]	MIN.
B	$\frac{.143}{.147}$	$\frac{[3.63]}{[3.73]}$	
C	ϕ .206	[5.23]	
D	ϕ $\frac{.0395}{.0410}$	$\frac{[1.00]}{[1.04]}$	
E	ϕ .157	[3.99]	MIN.

RECEPTACLE

INTERFACE DESIGN STANDARD			REV	DESCRIPTION	DATE	APPR
IDS-20			C	PER ECN 7035	03/31/03	HN
PAGE 1 OF 2	DATE: 02/28/94		D	PER ECN 8609	08/02/06	JEM
DRAWN: JEM	APPROVED: HN		E	PER ECN 9052	09/05/07	HN
22 GREAT HILL ROAD, NAUGATUCK, CT. 06770 PHONE: (203) 729-9090 FAX: (203) 723-1794						

DESCRIPTION: SMA 20 SERIES

MECHANICAL

MATERIALS

BODIES, NUTS- CORROSION RESISTANT STEEL, PER ASTM-A-582 & ASTM-A-484.
 INSULATORS - TEFLON (PTFE) PER ASTM-D-1457.
 CONTACTS, MALE AND FEMALE- BERYLLIUM COPPER PER ASTM-B-196.
 GASKETS - SILICONE RUBBER PER ZZ-R-765.

FINISHES (ADD LETTER TO END OF PART NUMBER)

"G": BODY - .000020 MIN. GOLD OVER .000050 NICKEL;
 CONTACT - .000050 GOLD OVER .000050 MIN. NICKEL
 "P": BODY - PASSIVATED
 CONTACT - .000050 GOLD OVER .000050 MIN. NICKEL
 OTHER METAL PARTS - .00002 GOLD PLATED
 TO MEET THE ENVIRONMENTAL REQUIREMENTS OF MIL-C-39012.

MATING CHARACTERISTICS

CENTER CONTACT PIN AND SOCKET PER MIL-C-39012 (1 OZ. MIN) (2 LBS. MAX)
 FORCE TO ENGAGE /DISENGAGE- 2 IN.-LBS. MAX. TORQUE.
 COUPLING NUT RETENTION - 60 LBS. MIN.
 COUPLING PROOF TORQUE 15 IN.-LBS. MIN.
 DURABILITY: 500 CYCLES PER MIL-C-39012.
 RECOMMENDED TORQUE - 7-10 IN.-LBS.

ELECTRICALS

IMPEDANCE: 50 OHMS.
 FREQUENCY RANGE: DC TO 18 GHz.
 INSULATION RESISTANCE: 5000 MEGAOHMS.
 TEMPERATURE RATING: -65°C TO +165°C

	<u>RG 402 (141)</u> SEMI-RIGID	<u>RG 405 (085)</u> SEMI-RIGID
DWV -	1,500 VOLTS RMS.	1,000 VOLTS RMS.
RF HIGH POTENTIAL -	1,000 VOLTS RMS.	670 VOLTS RMS.
CONTACT RESISTANCE -		
CENTER CONTACT:	2.0 MILLIOHMS MAX.	2.0 MILLIOHMS MAX.
OUTER CONTACT:	2.0 MILLIOHMS MAX.	2.0 MILLIOHMS MAX.
OUTER CONTACT TO CABLE:	0.5 MILLIOHMS MAX.	0.5 MILLIOHMS MAX.
VSWR -		
DC - 18.0 GHz:	1.05 + .005F (GHz)	1.05 + .005F (GHz)
CORONA LEVEL -	375 VOLTS MIN.	335 VOLTS MIN.
R.F. LEAKAGE -	-90 dB MIN.	-90 dB MIN.
INSERTION LOSS -	.03 x \sqrt{F} (GHz)	.03 x \sqrt{F} (GHz)

ENVIRONMENTAL

VIBRATION: MIL-STD-202, METHOD 204, TEST CONDITION D.
 SHOCK: MIL-STD-202, METHOD 213, TEST CONDITION I.
 THERMAL SHOCK: MIL-STD-202, METHOD 107, TEST CONDITION B.
 CORROSION: MIL-STD-202, METHOD 101, TEST CONDITION B, 5% SALT SOLUTION.
 MOISTURE RESISTANCE: MIL-STD-202, METHOD 106, OMIT STEP 7B.

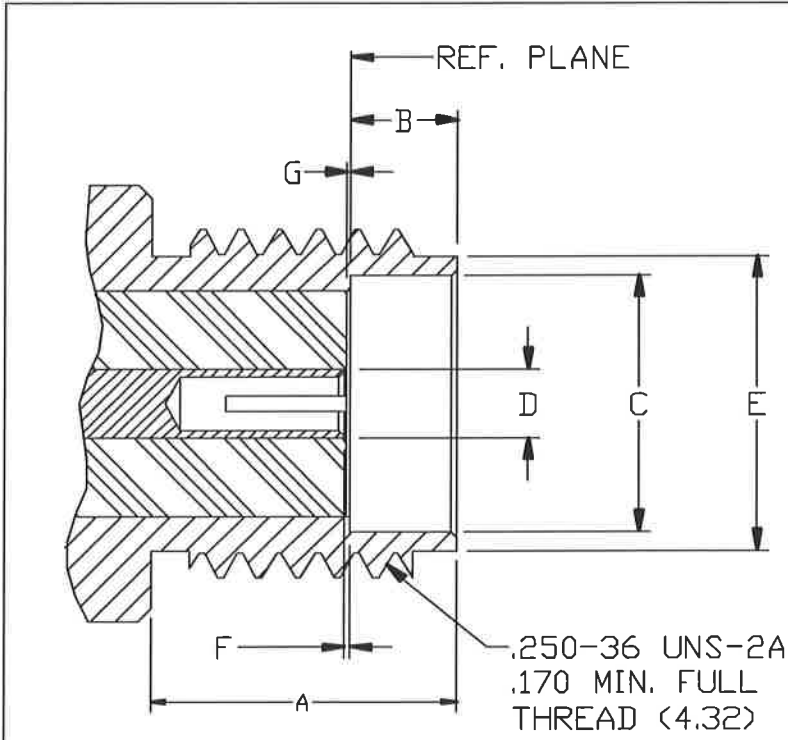
INTERFACE DESIGN STANDARD	
IDS-20	
PAGE 2 OF 2	DATE: 02/28/94
DRAWN: JEM	APPROVED: HN

PALEO CONNECTOR

22 GREAT HILL ROAD, NAUGATUCK, CT. 06770
PHONE: (203) 729-9090 FAX: (203) 723-1794

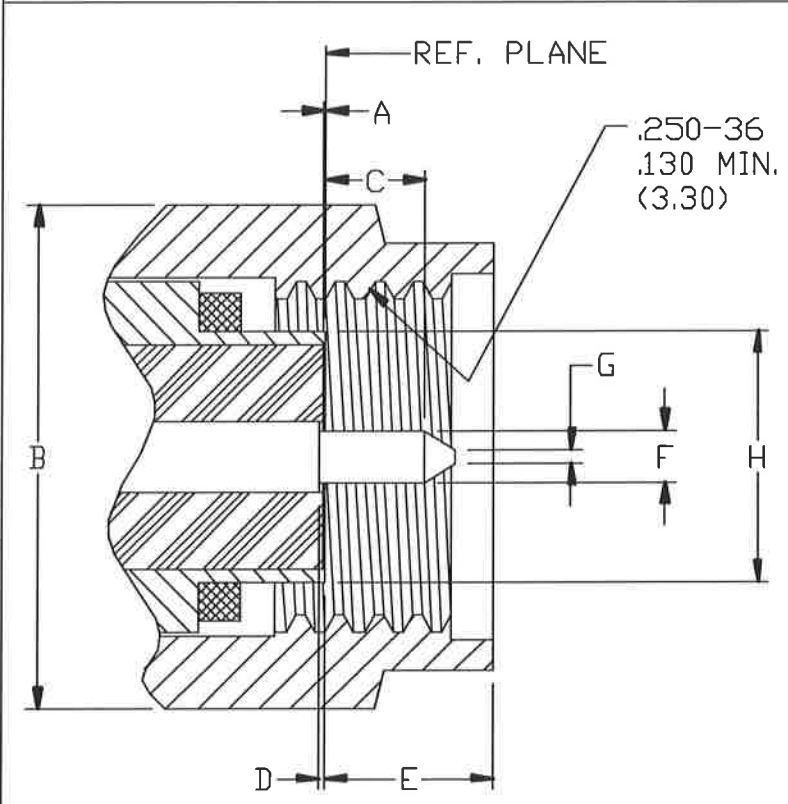
REV	DESCRIPTION	DATE	APPR
C	PER ECN 7035	03/31/03	HN
D	PER ECN 8609	08/02/06	JEM
E	PER ECN 9052	09/05/07	HN

DESCRIPTION: SMA 20 SERIES



DIMENSIONS ARE TO MIL-STD-348A.

	INCH	[mm]	SUFFIX
A	.218	[5.54]	MIN.
B	.078 .074	[1.98] [1.88]	
C	∅.181	[∅.460]	MIN.
D	∅.051 ∅.049	[∅1.30] [∅1.24]	
E	∅.216 ∅.208	[∅5.49] [∅5.28]	
F	.000 .010	[0.00] [0.25]	CONT.
G	.000 .007	[0.00] [0.18]	INS.



DIMENSIONS ARE TO MIL-STD-348A.

	INCH	[mm]	SUFFIX
A	.000 .007	[0.00] [0.18]	INS.
B	.312	[7.92]	HEX
C	.050	[1.27]	MIN.
D	.000 .010	[0.00] [0.25]	CONT.
E	.135	[3.43]	MAX.
F	∅.0370 ∅.0355	[∅0.94] [∅0.90]	
G	∅.010	[∅0.25]	FLAT
H	∅.1808	[∅4.59]	MAX.