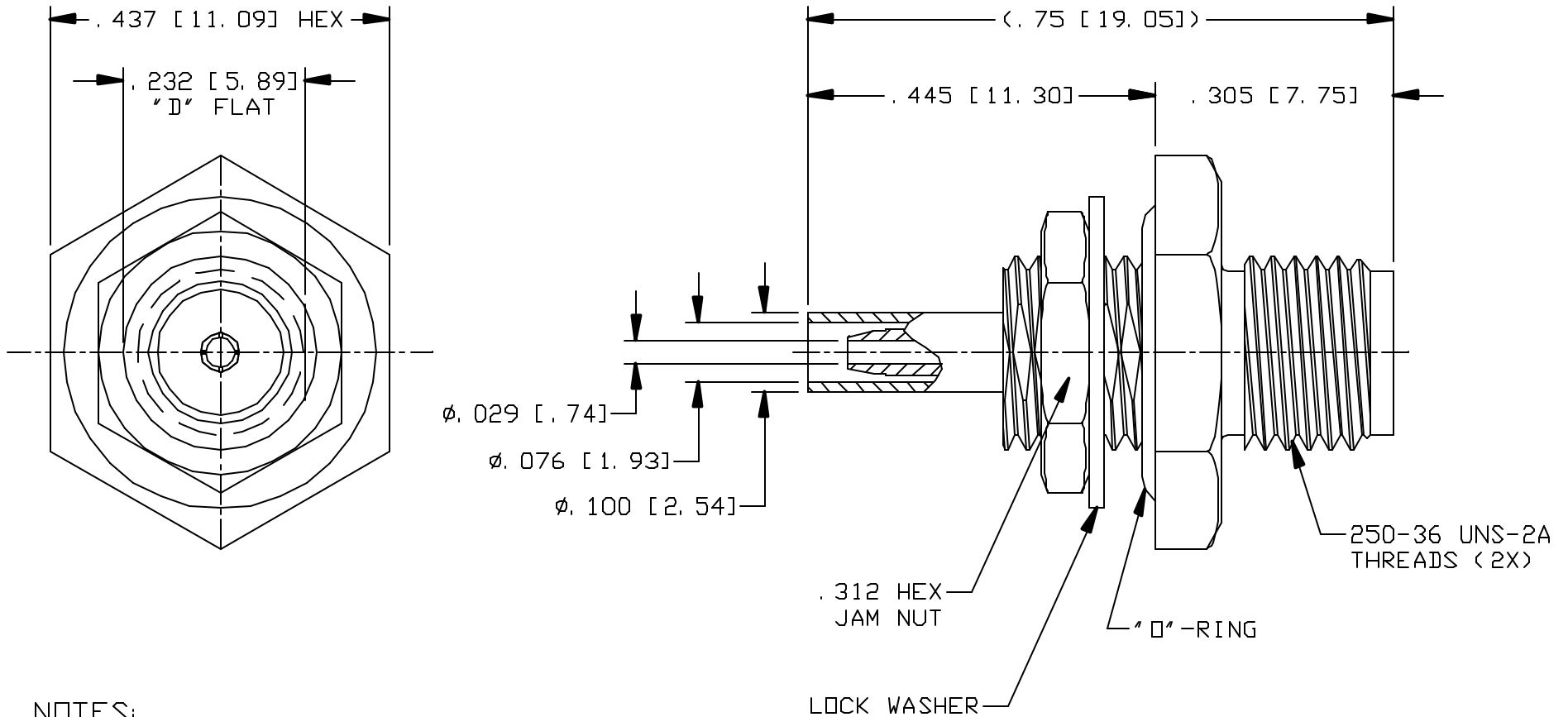


CAD DRAWING - NO MANUAL REVISIONS




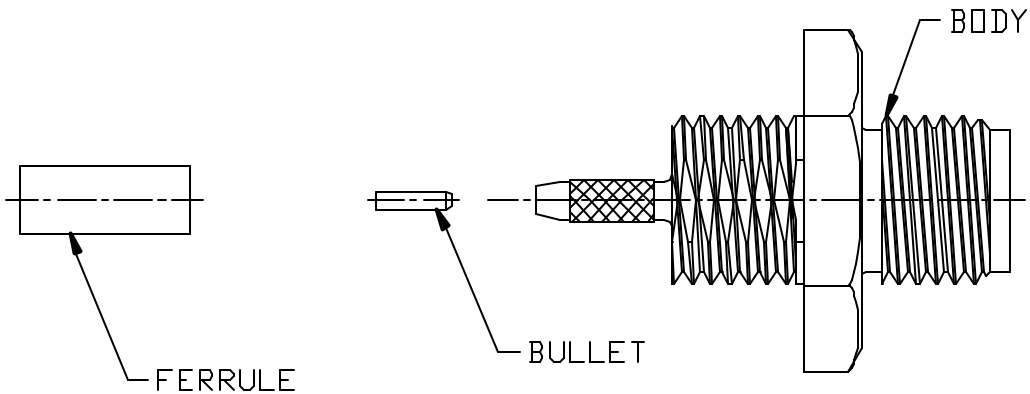
NOTES:

1. DESIGN AND INTERFACE PER I. D. S. -20.
2. BULLET, JAM NUT, LOCK WASHER, "O"-RING & FERRULE ARE SHIPPED LOOSE.
3. RATED TO IP67.
4. MOUNTING HOLE PER DS-16A, FIGURE 3.
5. ACCOMMODATES HIROSE 066 (1.32mm) OR EQUIVALENT CABLES.
6. CRIMP USING .081 HEX DIE (DANIELS Y1547P).

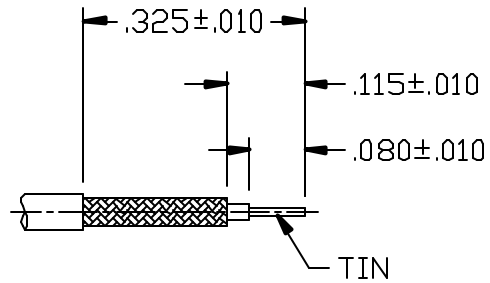
				PALCO CONNECTOR 22 GREAT HILL RD., NAUGATUCK, CT 06770 UNLESS OTHERWISE SPECIFIED, PALCO WORKMANSHIP STANDARDS APPLY TOLERANCES ON: DECIMALS: XX ± .01 .XXX ± .005 ANGLES ±1/2° 32' DIMENSIONS IN INCHES OR (METRIC) DO NOT SCALE PRINTS	DRAWN JEM	CHECKED JEM	ENGINEER JEM	APPROVED JEM	FSCM 58167
						DESCRIPTION SMA WATERPROOF FRONT MOUNT BULKHEAD JACK			
REV. A	PER ECN 11568	02/07/13	JEM		DATE 11/15/12	DRAWING NO. 22-1917-0398	PLATING OPT. G, N		

THE INFORMATION IN THIS DOCUMENT IS CONFIDENTIAL AND PROPRIETARY AND MAY NOT BE USED FOR ANY PURPOSE WITHOUT THE WRITTEN CONSENT OF PALCO.

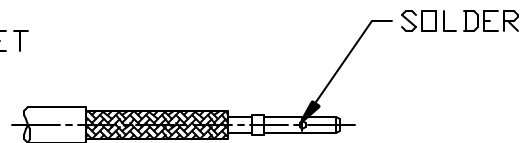
CABLE ASSEMBLY PROCEDURE			REV	DESCRIPTION	DATE	APPR
P/N	22-1917-0398		01	PRELIMINARY	11/15/12	JEM
PAGE 1 OF 1	DATE: 11/15/12		A	PER ECN 11568	02/07/13	JEM
DRAWN: JEM	APPROVED: JEM					
FOR USE WITH HIROSE 1.32mm CABLE		22 GREAT HILL ROAD, NAUGATUCK, CT. 06770		PHONE: (203) 729-9090		FAX: (203) 723-1794



STEP 1
TRIM CABLE TO DIMENSIONS SHOWN. TIN CENTER CONDUCTOR. CLEAN.



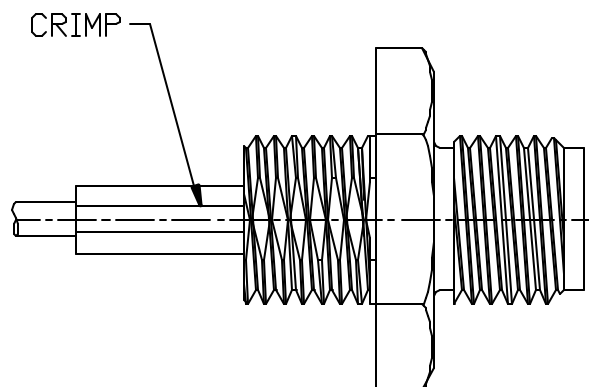
STEP 2
SLIDE BULLET ONTO CENTER CONDUCTOR. SOLDER BULLET TO CENTER CONDUCTOR. CLEAN SOLDER JOINT.



STEP 3
SLIDE FERRULE ONTO CABLE. FLARE BRAID BY ROTATING CABLE DIELECTRIC.



STEP 4
INSERT CABLE INTO BODY UNTIL CABLE BOTTOMS. SLIDE FERRULE UP UNTIL IT BOTTOM ON SHOULDER. CRIMP USING .081 HEX DIE (DANIELS Y1547P).



INTERFACE DESIGN STANDARD			REV	DESCRIPTION	DATE	APPR
IDS-22			D	PER ECN 5828	02/12/01	HN
PAGE 1 OF 2	DATE: 03/05/97		E	PER ECN 6802	11/07/02	HN
DRAWN: JEM	APPROVED: HN		F	PER ECN 7036	03/31/03	HN
		22 GREAT HILL ROAD, NAUGATUCK, CT. 06770 PHONE: (203) 729-9090 FAX: (203) 723-1794		G	PER ECN 8609	08/02/06 JEM

DESCRIPTION: SMA 22 SERIES (BRASS)

MECHANICAL

MATERIALS

BODIES, NUTS- BRASS 1/2 HD, PER ASTM-B-16, ALLOY 36000.
 INSULATORS - TEFLON (PTFE) PER ASTM-D-1457.
 CONTACTS, MALE AND FEMALE- BERYLLIUM COPPER PER ASTM-B-196.
 GASKETS - SILICONE RUBBER PER ZZ-R-765.

FINISHES (ADD LETTER TO END OF PART NUMBER)

CONTACTS - .00005 GOLD OVER .00005 NICKEL PER MIL-G-45204
 TO MEET THE ENVIRONMENTAL REQUIREMENTS OF MIL-C-39012.
 OTHER METAL PARTS - .000020 GOLD PLATED
 TO MEET THE ENVIRONMENTAL REQUIREMENTS OF MIL-C-39012.

MATING CHARACTERISTICS

CENTER CONTACT PIN AND SOCKET PER MIL-C-39012 (1 OZ. MIN) (2 LBS. MAX)
 FORCE TO ENGAGE /DISENGAGE- 2 IN.-LBS. MAX. TORQUE.
 COUPLING NUT RETENTION - 60 LBS. MIN.
 CONNECTOR DURABILITY - 100 CYCLES PER MIL-PRF-39012.

	WALL THICKNESS OF BODY	
	THICK	THIN
COUPLING PROOF TORQUE, IN.-LBS	15 MIN.	7-10
RECOMMENDED TORQUE, IN.-LBS.	7-10	5-6.5

ELECTRICALS

IMPEDANCE: 50 OHMS.
 FREQUENCY RANGE: DC TO 18 GHz.
 INSULATION RESISTANCE: 5000 MEGOHMS.
 TEMPERATURE RATING: -65°C TO +165°C

	<u>RG 402 (141)</u> <u>SEMI-RIGID</u>	<u>RG 405 (085)</u> <u>SEMI-RIGID</u>
DWV -	1,500 VOLTS RMS.	1,000 VOLTS RMS.
RF HIGH POTENTIAL -	1,000 VOLTS RMS.	670 VOLTS RMS.
CONTACT RESISTANCE -		
CENTER CONTACT:	2.0 MILLIOHMS MAX.	2.0 MILLIOHMS MAX.
OUTER CONTACT:	2.0 MILLIOHMS MAX.	2.0 MILLIOHMS MAX.
OUTER CONTACT TO CABLE:	0.5 MILLIOHMS MAX.	0.5 MILLIOHMS MAX.
VSWR -		
DC - 18.0 GHz:	1.05 + .005F (GHz)	1.05 + .005F (GHz)
CORONA LEVEL -	375 VOLTS MIN.	335 VOLTS MIN.
R.F. LEAKAGE -	-90 dB MIN.	-90 dB MIN.
INSERTION LOSS -	.03 x √F (GHz)	.03 x √F (GHz)

ENVIRONMENTAL

VIBRATION: MIL-STD-202, METHOD 204, TEST CONDITION D.
 SHOCK: MIL-STD-202, METHOD 213, TEST CONDITION I.
 THERMAL SHOCK: MIL-STD-202, METHOD 107, TEST CONDITION B.
 CORROSION: MIL-STD-202, METHOD 101, TEST CONDITION B, 5% SALT SOLUTION.
 MOISTURE RESISTANCE: MIL-STD-202, METHOD 106, OMIT STEP 7B.

REV	DESCRIPTION	DATE	APPR
D	PER ECN 5828	02/12/01	HN
E	PER ECN 6802	11/07/02	HN
F	PER ECN 7036	03/31/03	HN
G	PER ECN 8609	08/02/06	JEM

DESCRIPTION: SMA 22 SERIES (BRASS)

